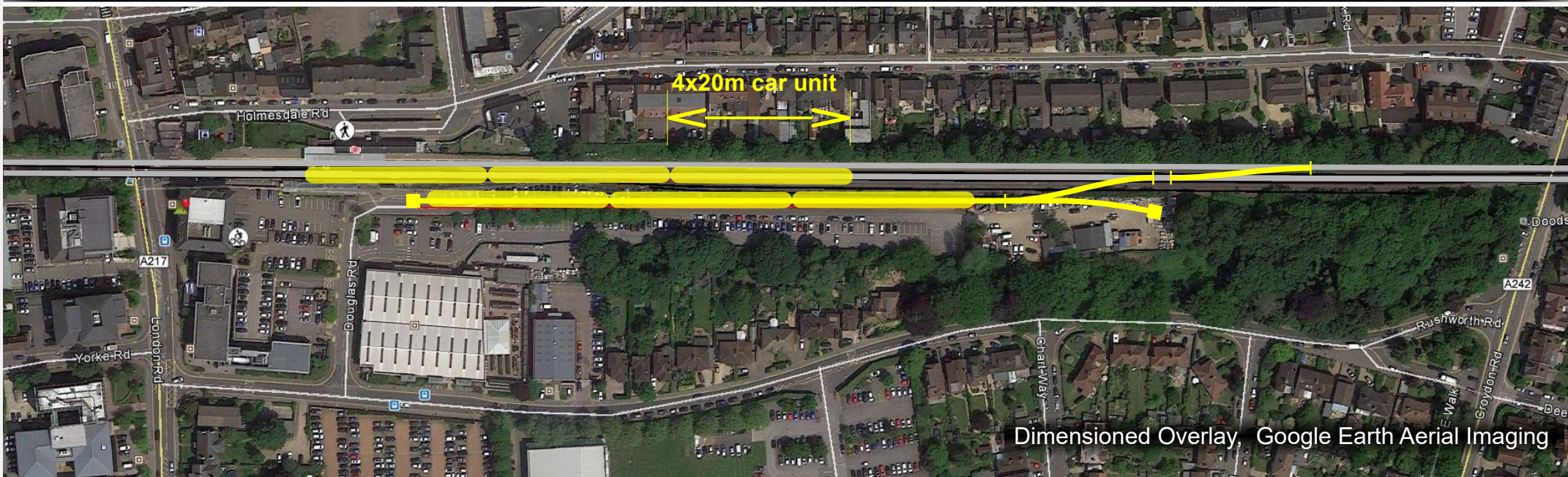
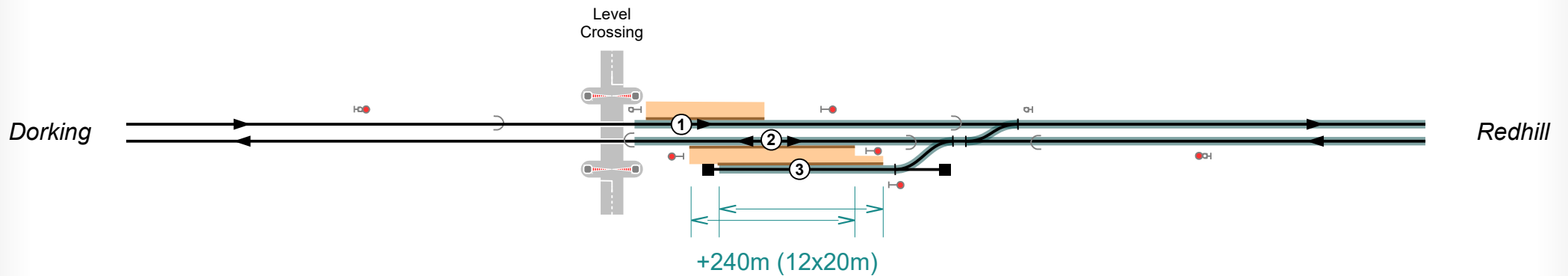


Reigate Station: Additional 12-Car Bay Platform & Related Layout Changes



Dimensioned Overlay, Google Earth Aerial Imaging

Reigate Station



Key:

— : Extent of Electrification (3rd Rail DC)

- Southern Normally Terminates In New Bay #3
- Southern May Also Terminate In Lengthened Through #2
- Bay May Accommodate Unattended Stabling

Track & Signalling Schematic